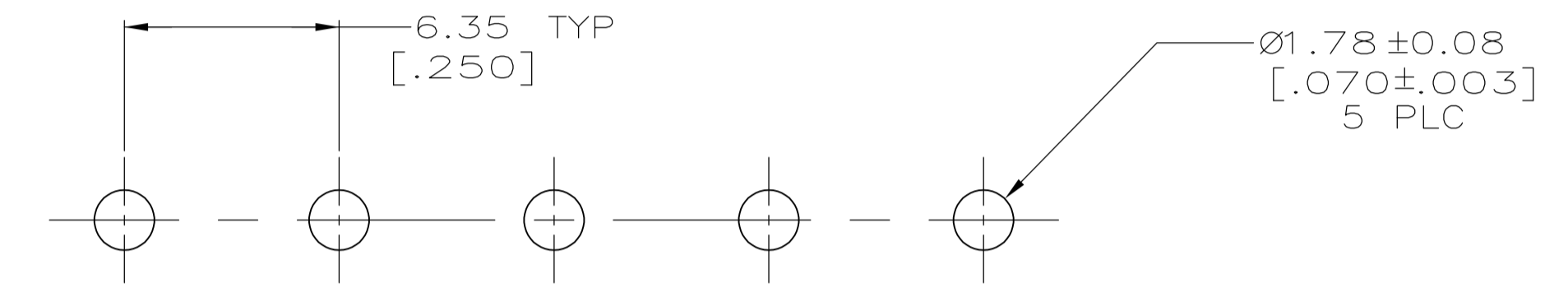
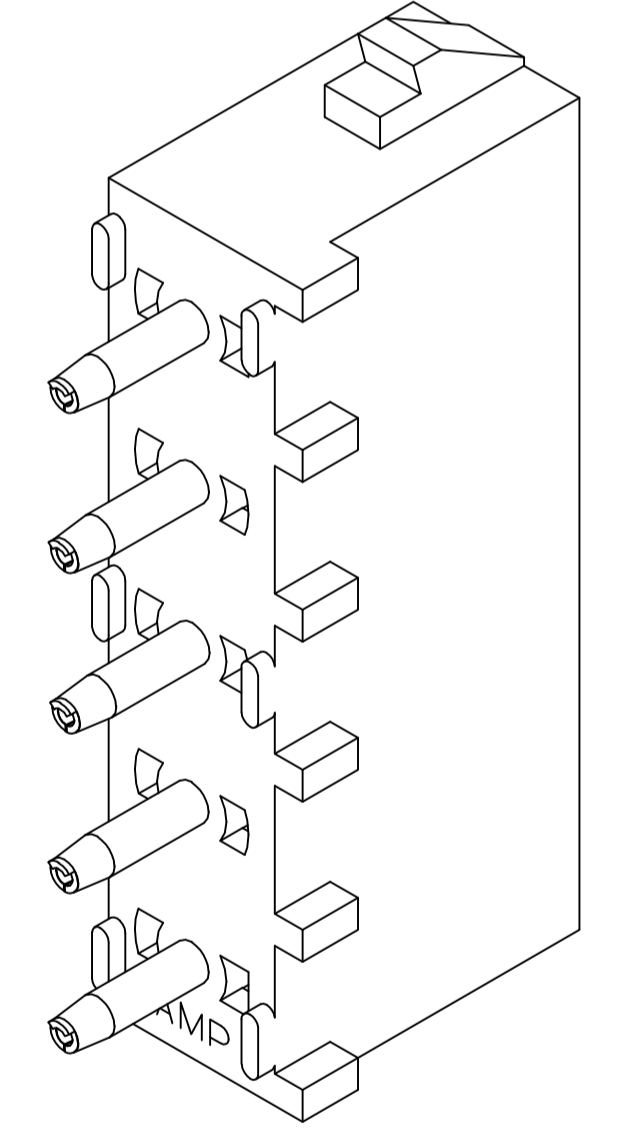
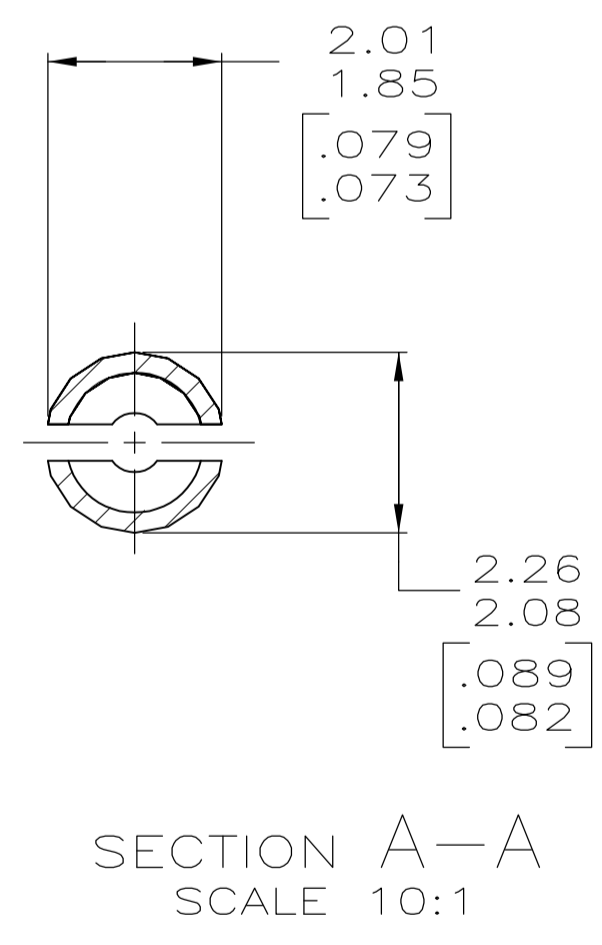
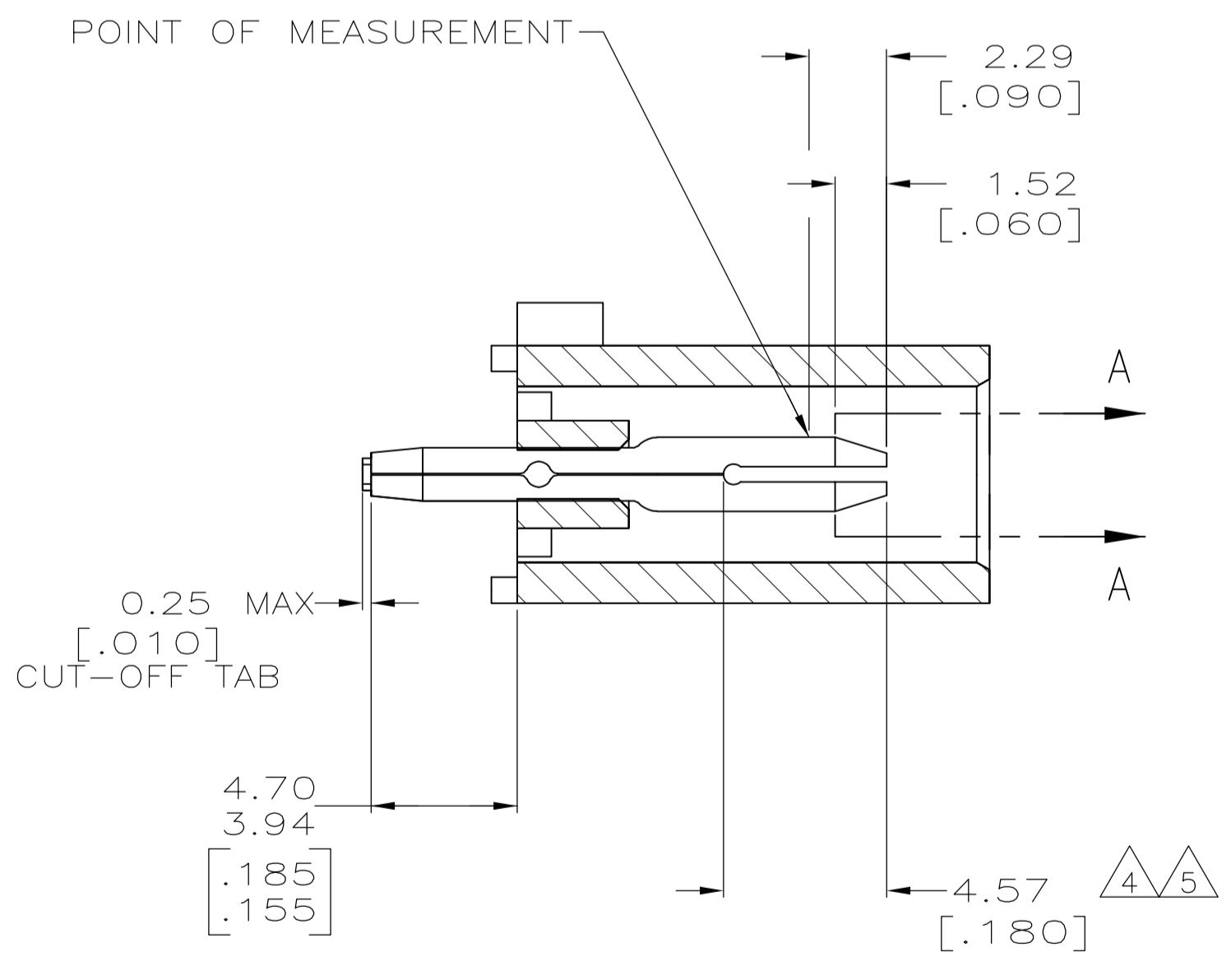


- 1 PARTS COMPLY WITH AMP SOLDERABILITY SPECIFICATION 109-11-3.
- 2 DIMENSIONS IN BRACKETS ARE IN INCHES.
- 3 CIRCUIT IDENTIFICATION CHARACTERS ARE ADJACENT TO THE INDICATED CAVITIES, BUT LOCATION AND ORIENTATION MAY DIFFER FROM PRINT.
- 4 CONTACT IS PLATED OVERALL WITH 0.00127 [.000050] NICKEL, THEN 0.000076 [.000030] GOLD OVER CONTACT LENGTH INDICATED AND MATTE TIN LEAD ON SOLDER TAIL END.
- 5 CONTACT IS PLATED OVERALL WITH 0.00127 [.000050] NICKEL, THEN 0.000076 [.000030] GOLD OVER CONTACT LENGTH INDICATED AND MATTE TIN ON SOLDER TAIL END.
- 6 PRELIMINARY - NOT FOR PRODUCTION
- 7 SUPERSEDED BY 640900-3



RECOMMENDED MOUNTING HOLE PATTERN FOR 1.57 [.062] THICK P.C. BOARD



3-DIMENSIONAL MODEL NTS

PHOSPHOR BRONZE, PRE-TIN	NYLON, UL94V-0, BLUE	6 1-640900-4
PHOSPHOR BRONZE, PRE-TIN	NYLON, UL94V-0, RED	6 1-640900-2
PHOSPHOR BRONZE, GOLD 5	NYLON, UL94V-0, NATURAL	640900-3
PHOSPHOR BRONZE, GOLD 4	NYLON, UL94V-0, NATURAL	7 640900-2
PHOSPHOR BRONZE, PRE-TIN	NYLON, UL94V-0, NATURAL	640900-1
PIN CONTACT MATERIAL AND FINISH	HOUSING MATERIAL	PART NUMBER

THIS DRAWING IS A CONTROLLED DOCUMENT.

DIMENSIONS: mm [INCHES]	TOLERANCES UNLESS OTHERWISE SPECIFIED:	DIN K. WHITAKER 18JAN2005	CHK S. RIDGILL 18JAN2005	APVD S. RIDGILL 18JAN2005	NAME
0 PLC ± -	1 PLC ± -	2 PLC ± 0.20 [.008]	3 PLC ± -	4 PLC ± -	ANGLES ± -
MATERIAL SEE TABLE	FINISH SEE TABLE	WEIGHT	SIZE A1	CAGE CODE 00779	DRAWING NO. 640900
CUSTOMER DRAWING				SCALE 5:1	SHEET 1 OF 1

STE TE Connectivity

PIN HEADER ASSEMBLY, 5 CIRCUIT, UNIVERSAL MATE-N-LOK™

RESTRICTED TO